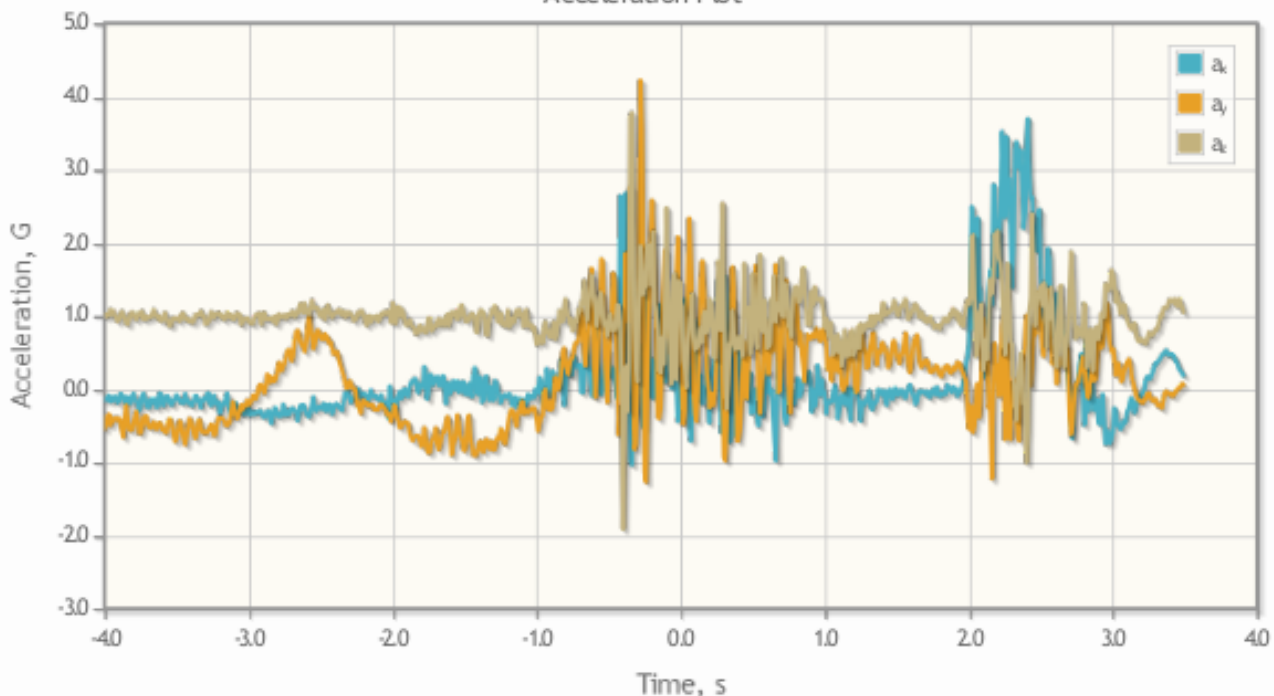


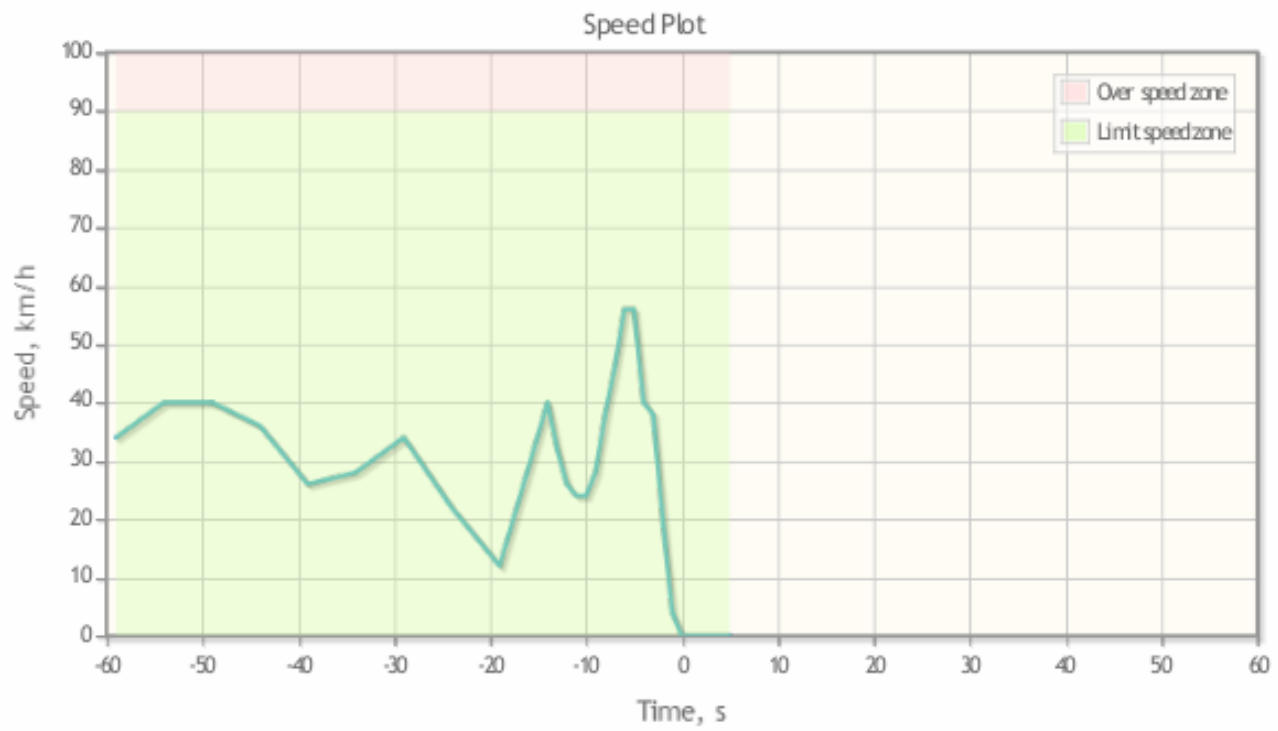
Accident report

Client Info	
Λογαριασμός	Test Account
Full Name	Test
Vehicle Info	
Συμβόλαιο	111111
Μάρκα οχήματος	Jeep
Μοντέλο οχήματος	Wrangler
Τύπος οχήματος	Car
Αριθμός Πλαισίου	VIN
Body number	
Αριθμός κυκλοφορίας	TEST
Driver	
Driver phone	
Πρόγραμμα	SMART 1Y
Insurance	
Insurance contract	
Insurance contract start date	
Equipment Info	
Activation date	28.02.2022 18:03:39
Αριθμός σειράς κουτιού	Meta T342-S
OBU name	
IMEI	
Accident	
Crash ID	1
Accident created	Detected by device
Conditions	
Temperature	
Weather	
Humidity	
Road class	
Road surface type	
Peak Acceleration	
- X (front):	3,7G (-1,03; 3,7)
- Y (side):	4,22G (-1,27; 4,22)
- Z (vertical):	3,78G (-1,91; 3,78)

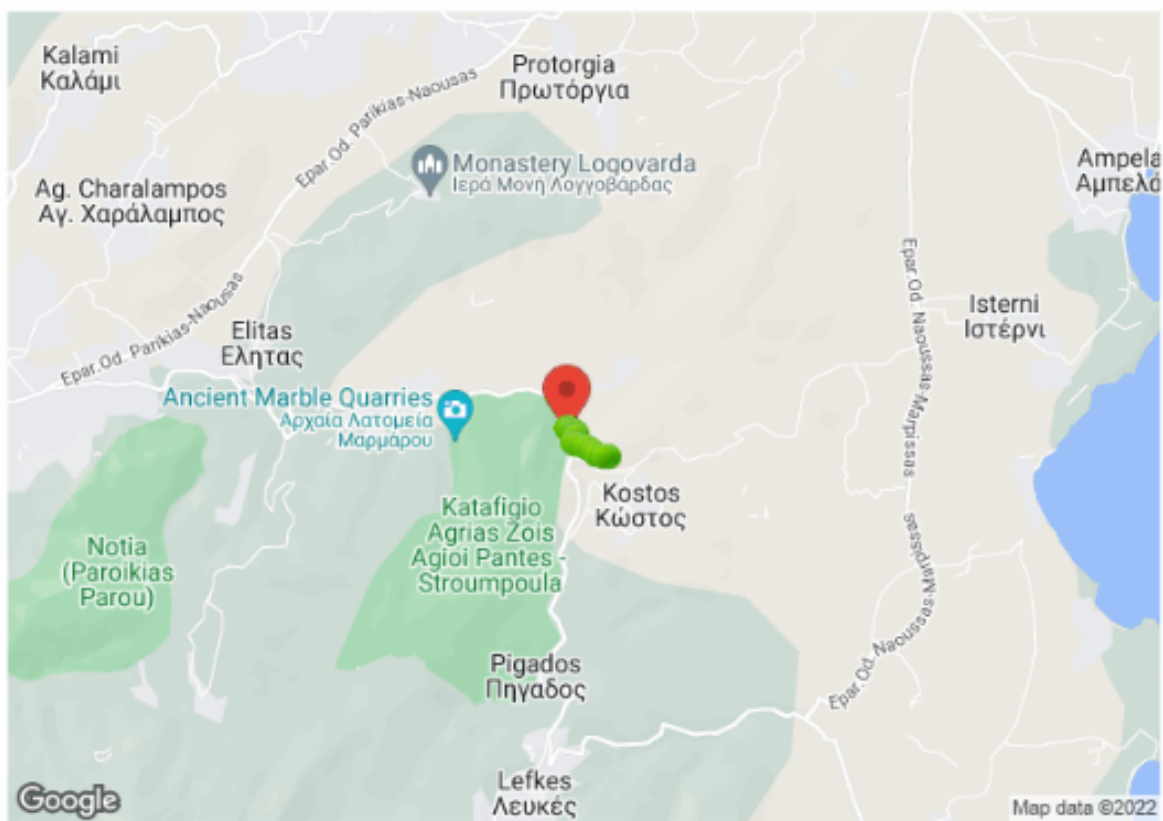
Accident Location	
Time	17.06.2022 16:42:45
Local time	17.06.2022 16:42:40
Address	Επ. Οδός Παροικιάς-Πίσω Λιβαδιού, 844 00 Πάρος, Ελληνική Δημοκρατία
Coordinates	37.0824780, 25.2109730
Speed	0
Altitude	220
Course	316
Communication quality	GPS: 8 satellites, GLONASS: 5 satellites
Accident Parameters	
GPS speed	0
Calculated impact speed	
Impact distance	
Impact direction	79,9805240783618
Accident Severity Rate	
Accident type	Lateral left
Impact quantity	
ASI	0,31
Calculated HIC	11
AIS level	0,07
Injury category	minor
Possible head injuries	Light brain injuries with headache, vertigo, no loss of consciousness, light cervical injuries, whiplash, abrasion, contusion
Injury Probability	
No injure probability	100
AIS 2 probability	0
AIS 3 probability	0
AIS 4 probability	0
AIS 5 probability	0
Fatality probability	0

Acceleration Plot





Accident location on the map

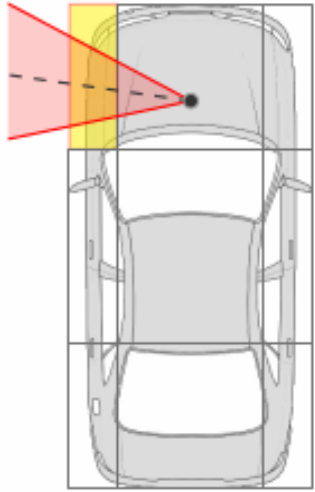




Google

Imagery ©2022 CNES / Airbus, Landsat / Copernicus, Maxar Technologies

Probably damage area



Crash photos